



RUBBER PARTS CATALOG®.com
FLUIDLASTIC™ MOUNTS
&
SURFACE-EFFECT MOUNTS

VIBRATION, SHOCK & MOTION CONTROL

SOLUTIONS - FOR A WORLD IN MOTION

We offer standardized products to meet most applications. Some control problems, however, require specialized solutions such as a custom-designed mount or a combination of LORD products. Our experts in vibration and noise control can analyze your individual requirements and provide you the most effective and affordable solution ... Ask Us How.

SURFACE EFFECT MOUNTS



Surface-Effect Mounts combine surface-effect damping principles with traditional rubber-bonded-to-metal technology. The result is a soft mount capable of providing effective damping over large deflections and a wide range of frequencies. As cab and engine mounts in on- and off-highway vehicles, Surface-Effect Mounts meet the most demanding requirements for vibration isolation and noise attenuation while controlling motion.

Compression Load Range: 3,115 - 6,987 N (700 - 1,570 lbs)

CONICAL MOUNTS



LORD Conical Mounts provide effective vibration isolation and noise attenuation with a simple, robust mount design. Consistent performance, high load bearing capabilities and a choice of radial stiffness characteristics are key features of these mounts. For more demanding vibration and noise reduction requirements, LORD integrates Conical Mounts with surface-effect technology to form an advanced control solution known as Surface-Effect Systems.

Compression Load Range: 801 - 11,392 N (180 - 2,560 lbs)

SANDWICH MOUNTS - FLEX-BOLT™



Efficient power transmission and driveline component durability are among powertrains designers' most important concerns. Increased durability and up-time are two characteristics demanded by purchasers of today's complex and expensive machinery. These demands can only be met with reliable, trouble-free, smooth-running powertrains free from damaging loads that compromise component life.

Compression Load Range: 27 - 59,808 N (6 - 13,440 lbs)

Shear Load Range: 4.45 - 7,476 N (1 - 1,680 lbs)

CENTER-BONDED MOUNTS



LORD Center-Bonded Mounts isolate vibration, control shock and reduce noise due to structure borne vibrations. Available in a full range of rated load capacities and able to withstand shock loads of 10 g's, these mounts effectively protect equipment and improve operator comfort. They are ideal for automotive, marine, railroad and industrial markets.

Compression Load Range: 334 - 9,345 N (75 - 2,100 lbs)

TWO-PIECE MOUNTS



LORD Two-Piece Mounts are designed for applications involving severe dynamic forces in the static load direction, as well as the rebound direction. Travel is limited in both directions by rubber in compression that provides snubbing.

Compression Load Range: 178 - 15,352 N (40 - 3,450 lbs)

BINOCULAR/SPLIT MOUNTS



LORD Binocular/Split Mounts are designed for applications involving severe dynamic forces in the static load direction, as well as the rebound direction. Travel is limited in both directions by rubber in compression that provides snubbing.

Compression Load Range: 4,450 - 6,675 N (1,000 - 1,500 lbs)

PLATFORM MOUNTS



LORD Platform Mounts provide effective isolation against vibration. The contour of the flexing element was developed to provide uniform stress distribution. This, plus high strength bonding and the use of specially compounded elastomers, provides maximum service life.

Compression Load Range: 2 N - 2,225 N (0.5 - 500 lbs)

GROMMET ISOLATORS



LORD Grommet Isolators provide effective, economical vibration isolation for light loads. They are suitable for commercial and military applications including computers, disk drives, business machines, precision instrumentation and general industrial equipment.

Compression Load Range: 4 - 27 N (1 - 6 lbs)

MACHINERY MOUNTS



LORD Machinery Mounts are designed to support heavy equipment and isolate intermittent or continuous vibration. The result is greater machine accuracy, longer service life, smoother operation and reduced maintenance. These mounts are available in four types to suit different needs.

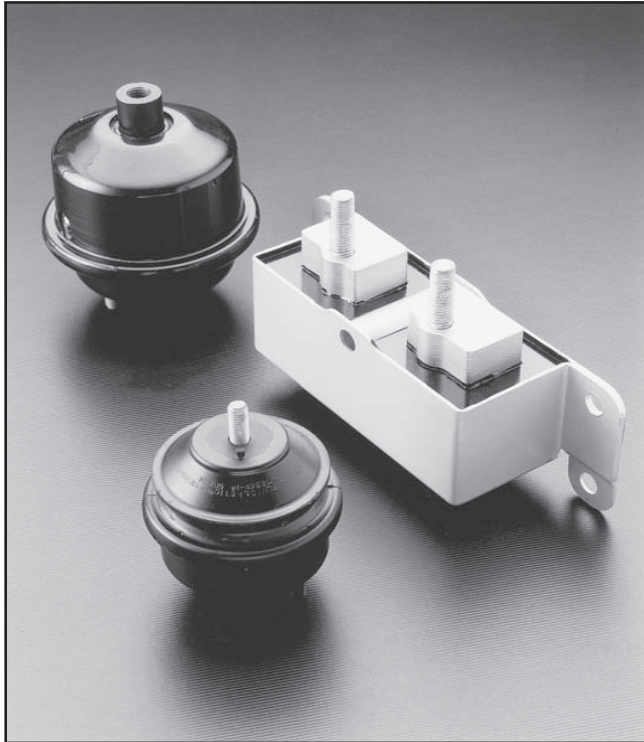
Compression Load Range: 223 - 33,375 N (50 - 7,500 lbs)

BUSHINGS



LORD Center-Bonded Bushings and Square-Bonded Bushings are used in applications where the absorption shock, attenuation of noise, reduction of wear and elimination of lubrication is required.

Compression Load Range: 890 - 41,385 N (200 - 9,300 lbs)



Why They Out-Perform Conventional Rubber Mounts

The Fluidlastic Mount concept allows the use of a softer mount for better isolation of vibration and uses internal fluid damping to reduce motions at resonant conditions or shock inputs. Fluidlastic mounts offer tuneable damping. The level of damping and the frequency where the peak damping occurs can be specified. A variety of fluids and orifice configurations create this damper effect. The fluid provides damping in the amplification region, as well as very low damping in the isolation region.

Another important feature of the Fluidlastic Mount is a conveniently packaged tuned absorber. Fluid movement within the mount as it is deflected becomes a tuned mass at a specific frequency or frequency band. This absorber effect is accomplished by the porting and geometry of the fluid path within the mount. The result is a dynamic stiffness that is considerably softer than the static stiffness for that frequency range. This feature is especially useful in improving isolation of noise or vibration at a predominant frequency.

LORD Corporation's design experience along with our test and analytical capability makes LORD the leader in the field of a new generation of mounts. Contact LORD Engineering to review your job application requirements.

Fluidlastic® Mounts

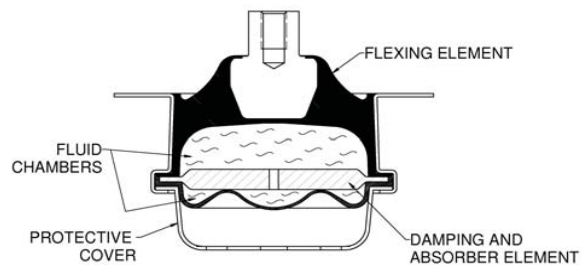
Introducing a new generation of mounts. Fluidlastic® Mounts combine rubber and fluids to provide vibration isolation and noise reduction measurably better than conventional mounts. They also provide greater versatility because the mounts are tuned to precisely match application requirements. This new generation of mounts will help you solve tough vibration and noise problems.

Three-In-One Performance

The Fluidlastic Mount is three mounts in one depending upon the frequency and amplitude of the excitation. First, it's a spring providing basic load and motion capability to the system. Second, it's a damper providing restricted motion at or near resonant conditions. And thirdly, it's a tuned absorber providing superior isolation at a specific frequency.

Fluidlastic Mounts are rubber mounts which encapsulate a fluid that flows through a variety of ports and orifices depending upon the dynamic characteristics needed (see Figure 1). The result is a very versatile and effective vibration isolator.

Figure 1



Product Line	Rated Load Range (lb)	Typical Applications
J-18569	200-400	Cab Mounts
FL-1002	250-920	Gen Sets

**Need assistance with selecting the right mount for your application?
CALL US @ 800.657.0747 Ask for Engineering**

Offering thousands of **standard** industrial rubber products and **innovative** "low" and "high" tech **custom** elastomeric products.

SURFACE-EFFECT MOUNTS



VIBRATION, SHOCK & MOTION CONTROL

LORD
AskUsHow™



Surface-Effect Mounts

Surface-Effect Mounts combine surface-effect damping principles with traditional rubber-bonded-to-metal technology. The result is a soft mount capable of providing effective damping over large deflections and a wide range of frequencies. As cab and engine mounts in on- and off-highway vehicles, Surface-Effect Mounts meet the most demanding requirements for vibration isolation and noise attenuation while controlling motion.

The systems feature a damper pack containing an elastomer that comes in contact with a sliding surface, producing both hysteretic and friction damping. When conventional mounts are unable to satisfy vehicle requirements, Surface-Effect Mounts can successfully control noise and vibration for improved ride comfort and enhanced product performance and maintainability.

Features and Benefits

- A smoothly damped response at low and medium frequencies with isolation at high frequencies. Natural frequency is 6 Hz at rated load.
- Amplitude sensitive, responding to larger motions with greater damping forces
- Speed mount optimization and vehicle development by allowing easy in-the-field adjustment of damping and small displacement decoupling
- Accommodate a wide range of rated loads
- Withstand R.O.P.S. loads with the addition of support rings. Further non-standard support rings for special applications are available.
- Offer optimal tuning through the modular spring/damper assembly for ride comfort and motion control
- Exhibit long, highly reliable service life

The on-site adjustable damping and decoupling capabilities of the mounts offer unique advantages in terms of reducing development/testing time and minimizing the cost of systems optimization. Adding or removing damping disks within a mount's surface-effect pack changes the contact area and amount of damping for adjustment of prototype mounts.

Surface-Effect Mounts are simple in construction, and the absence of pressure seals and fluids eliminates the possibility of leaks common with hydraulic mounts. In accelerated durability tests, these mounts have successfully passed more than 11 million cycles (the equivalent of 3 million kilometers or 2 million miles of Class 8 truck cab service) without significant wear.

Need pricing or current inventory?

CALL US @ 800.657.0747
Ask for **Quoting**

Need assistance with selecting the right mount for your application?

CALL US @ 800.657.0747
Ask for **Engineering**

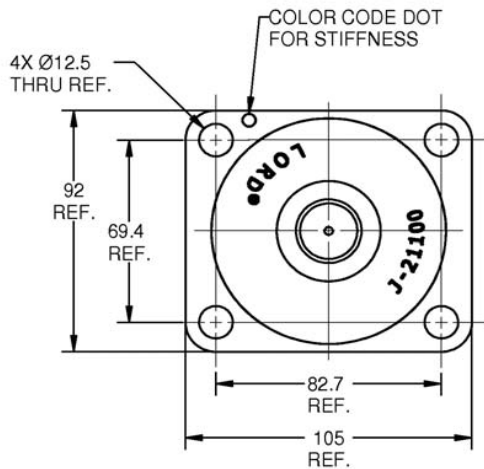
Offering thousands of **standard** industrial rubber products and **innovative "low" and "high" tech custom** elastomeric products.

SURFACE-EFFECT MOUNTS

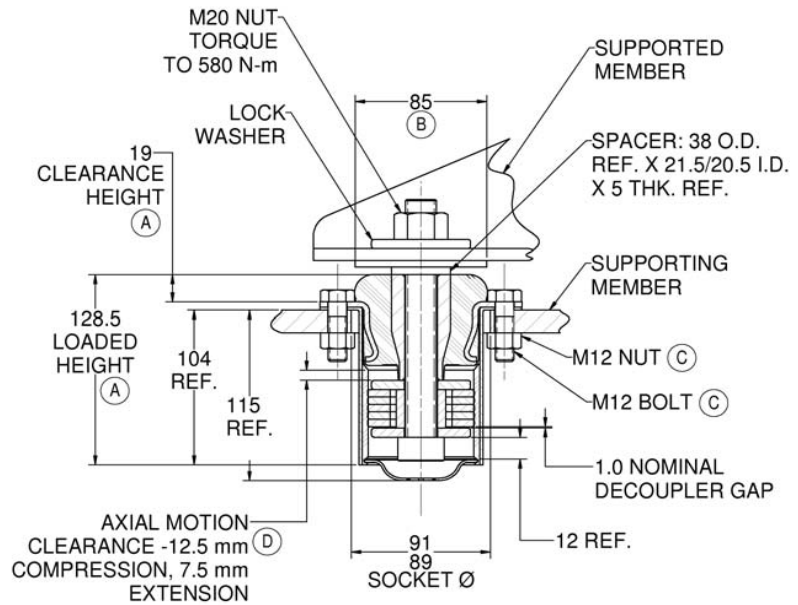
Specifications and Dimensions

Part Number	Rated Axial Static Load		Rated Axial Static Deflection		Axial Static Stiffness		Radial Static Stiffness		Recommended Bolt Information			
	lb	N	in	mm	lb/in	N/mm	lb/in	N/mm	Size		Grade or Class	
									English	Metric	SAE J429	SAE J1199
SE-1100-1	700	3115	0.30	7.5	1770	310	6850	1200	3/4	M20	8	10.9
SE-1100-4	1140	5073	0.30	7.5	2860	500	11420	2000	3/4	M20	8	10.9
SE-1100-7	1570	6984	0.30	7.5	3950	690	16000	2800	3/4	M20	8	10.9

Typical Installation



Shown under Static Load (E)



- (A) Rated Static Load Ref.
- (B) Diameter Recommended Flat Area for Mount Snubbing Ref.
- (C) 4 Required; Customer Furnished
- (D) At Static Load Position Ref.
- (E) Recommended Static Deflection when used with Snubbing Washers and 5 mm Thk. Ref. Spacer as shown is 7.5 mm (0.30 in) Nominal at Rated Load.

Need assistance with selecting the right mount for your application?

CALL US @ 800.657.0747
Ask for **Engineering**

Offering thousands of **standard** industrial rubber products and **innovative "low" and "high" tech custom** elastomeric products.

TECHNICAL DATA

ELTAR

OFFERING THOUSANDS OF STANDARD INDUSTRIAL RUBBER PRODUCTS AND INNOVATIVE "LOW" AND "HIGH" TECH CUSTOM ELASTOMERIC PRODUCTS.

APPLICATION SELECTION GUIDE

	Standard	Platform	Heavy Duty	Center Bolted Mounts	CP 100 series	CP 180 series	CP 30 series	CP 50 series	CP 200 series	CP 270 series	Center Bolted	Spore	Small Industrial mounts	Metric	Small	Medium	Large	Machinery Mounts	Lake	Chain Mounts	Levelling	Industrial	Red Ends	Couplings	Shear	Spool Type	Bushing Type	LCI	
Actuators																													
Cabs																													
Computer & Accessories																													
Covveyors																													
Delicate Equipment																													
Drive Lines																													
Electronics																													
Engines																													
Engine Gen/Pumps sets																													
Fans/Blowers																													
Heating/Cooling Units																													
Instruments & Gauges																													
Machinery - Punch, Printing, Milling, Presses																													
Motors Electric																													
Pumps. Compressors																													
Shakers/Vibrators																													
Vehicle Accessories																													
Shipping Containers																													

VIBRATION, SHOCK & MOTION CONTROL

RUBBER PARTS CATALOG[®].com

Manufacturing

Distribution

Vibration Mounts

Grommets

Bumpers

Gaskets

Bushings

Stock & Custom Parts

Molded & Extruded

Military Grommets

End Caps

Adhesive Backed Bumpers

Lab Stoppers

Tips & Caps

Cord Stock

Suction Cups

Rubber Washer

O-Rings

Sheet, Sponge & Matting

Custom Fabrication

Blanket Service

Inventory Management & Releases

DELTAFLEX[™].com



Headquarters
1515 16th Street
Racine, WI 53403

Phone 262.632.2345
Customer Service 800.657.0747
Fax 262.632.0271

A parts listing in this catalog does not guarantee its availability. To download the most current version to go to RubberPartsCatalog.com

Values stated herein represent typical values as not all tests are run on each lot of material produced. For formalized product specifications or specific products end uses, contact [Engineering @ 800.657.0747](mailto:Engineering@800.657.0747).

Information provided herein is based upon tests believed to be reliable. In as much as DELTAFLEX and/or LORD Corporation has no control over the manner in which others may use this information, it does not guarantee the results to be obtained. In addition, DELTAFLEX and/or LORD Corporation does not guarantee the performance of the product or the results obtained from the use of the product or this information where the product has been repacked by any third party, including but not limited to any product end-user. Nor does the company make any express or implied warranty of merchantability or fitness for a particular purpose concerning the effects or results of such use.

Flex-Bolt and "Ask Us How" are trademarks of LORD corporation or one of its subsidiaries
DeltaFlex, the df triangle, RubberPartsCatalog and its logos are registered trademarks of Delta Flexible Products, Inc.